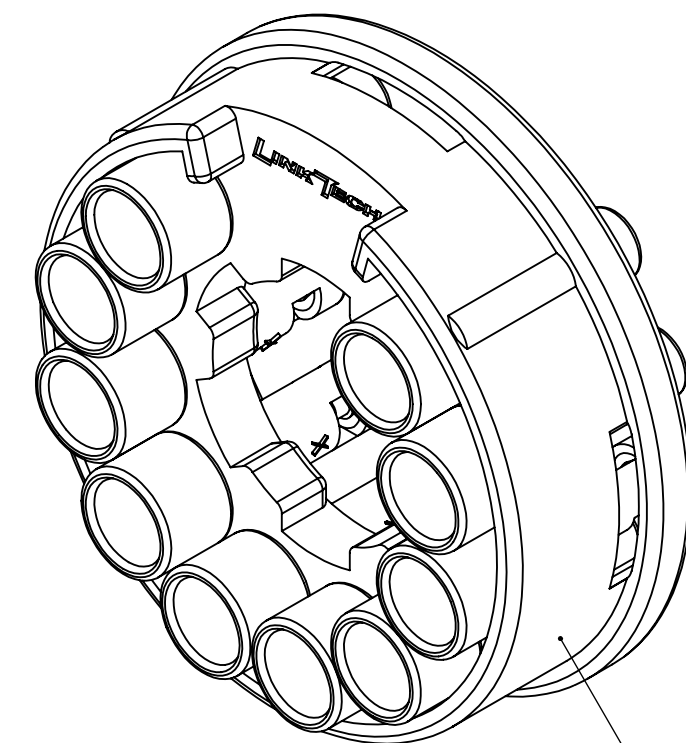
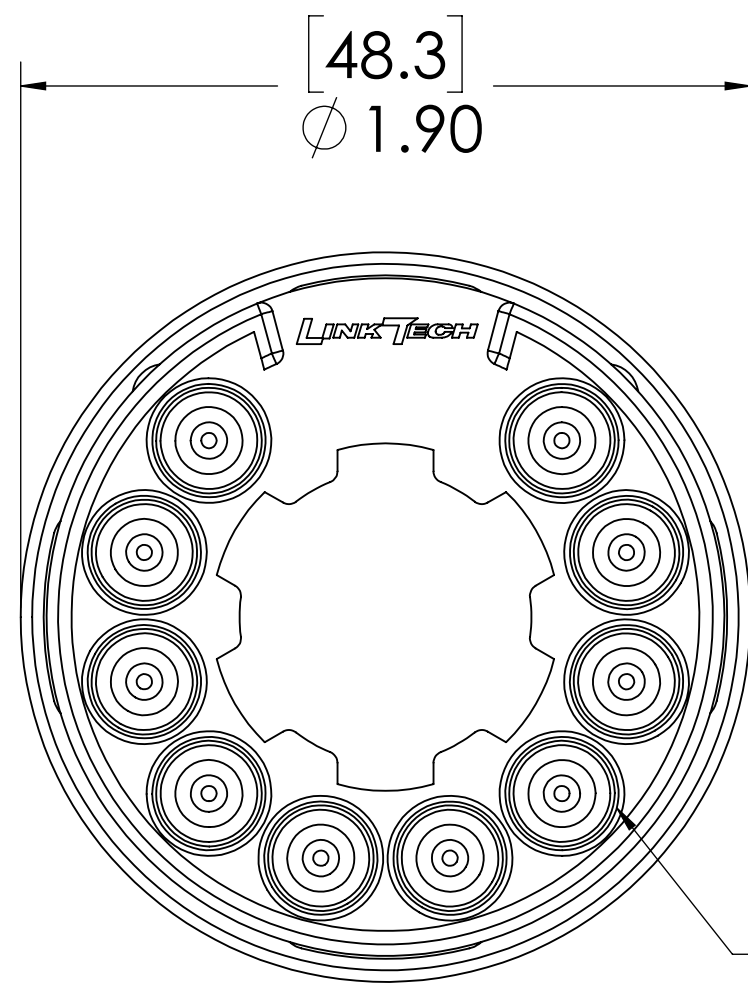


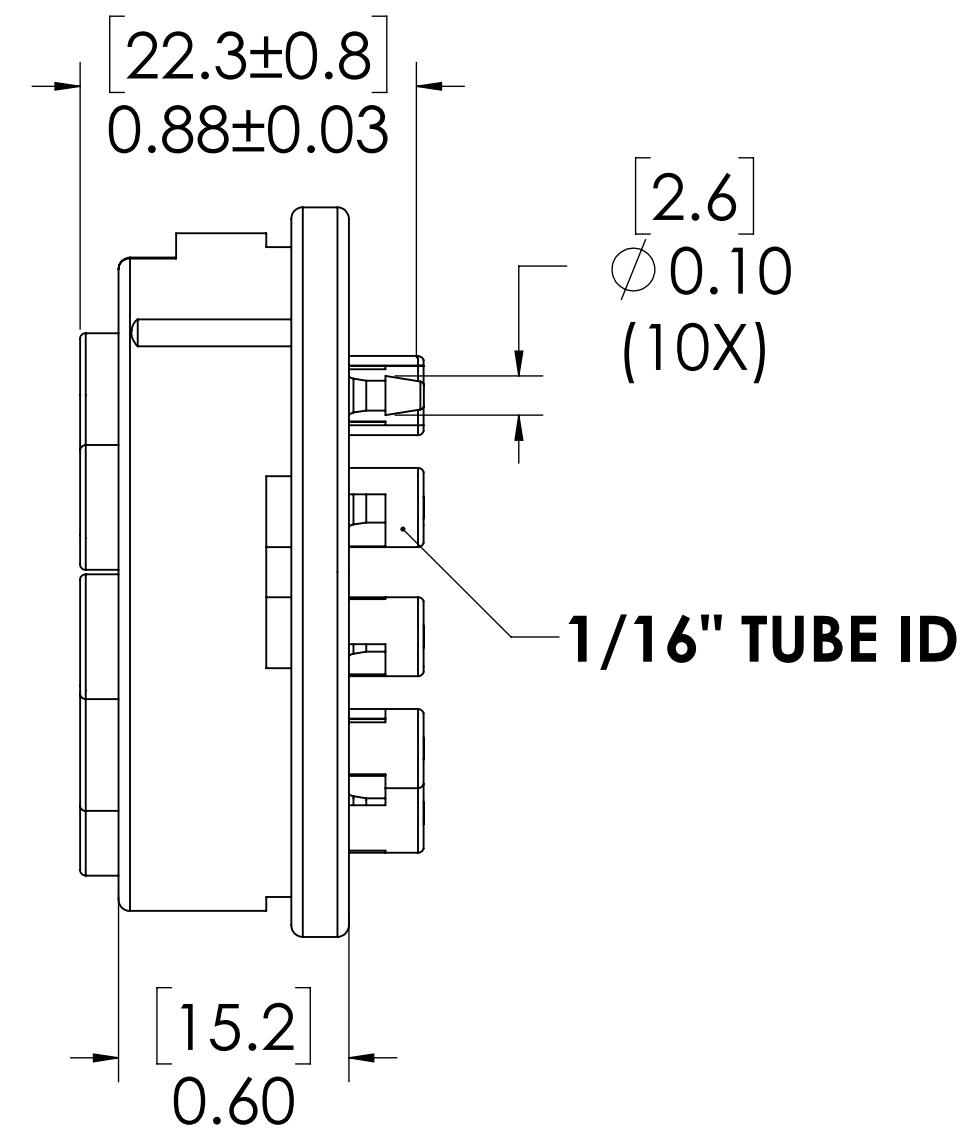
REVISIONS						
SHEET	ZONE	REV.	ECO	DESCRIPTION	DATE	APPROVED
1	ALL	A	50253	UPDATE DWG TO CURRENT FORMAT & STANDARDS	10/30/2018	HRC



**HOUSING
(ACETAL)**



**(10X) SOCKET
(POLYPROPYLENE)**



1/16" TUBE ID

FOR REFERENCE ONLY

- NOTES:**
- MATERIAL: POLYPROPYLENE
 - COLOR: BLACK

<small>UNLESS OTHERWISE SPECIFIED: DIMENSIONS ARE IN INCHES TOLERANCES: FRACTIONAL ±1/32 ANGULAR: MACH ±0.5 BEND ±2 ONE PLACE DECIMAL ±0.1 TWO PLACE DECIMAL ±0.01 THREE PLACE DECIMAL ±0.005 TWO PLACE DUAL (mm) [±0.12]</small>	DRAWN	ER	11/07/17	
	CHECKED	HRC	11/07/17	
	ENG APPR.	HRC	10/30/18	
	MFG APPR.	BDB	10/30/18	
PRODUCTION	LS	10/30/18		PART NO: 100PP-S2-01 DESCRIPTION: LinkTech 100PP Series Straight Female, Non-Valved, 1/16" HB, Polypropylene
<small>PROPRIETARY AND CONFIDENTIAL THE INFORMATION CONTAINED IN THIS DRAWING IS THE SOLE PROPERTY OF LINKTECH LLC. ANY REPRODUCTION OR DISCLOSURE IN PART OR AS A WHOLE WITHOUT THE WRITTEN PERMISSION OF LINKTECH LLC IS STRICTLY PROHIBITED.</small>	COMMENTS:			SIZE DWG. NO. C 100PP100020
				REV A
SCALE: NTS			WEIGHT:	SHEET 1 OF 1